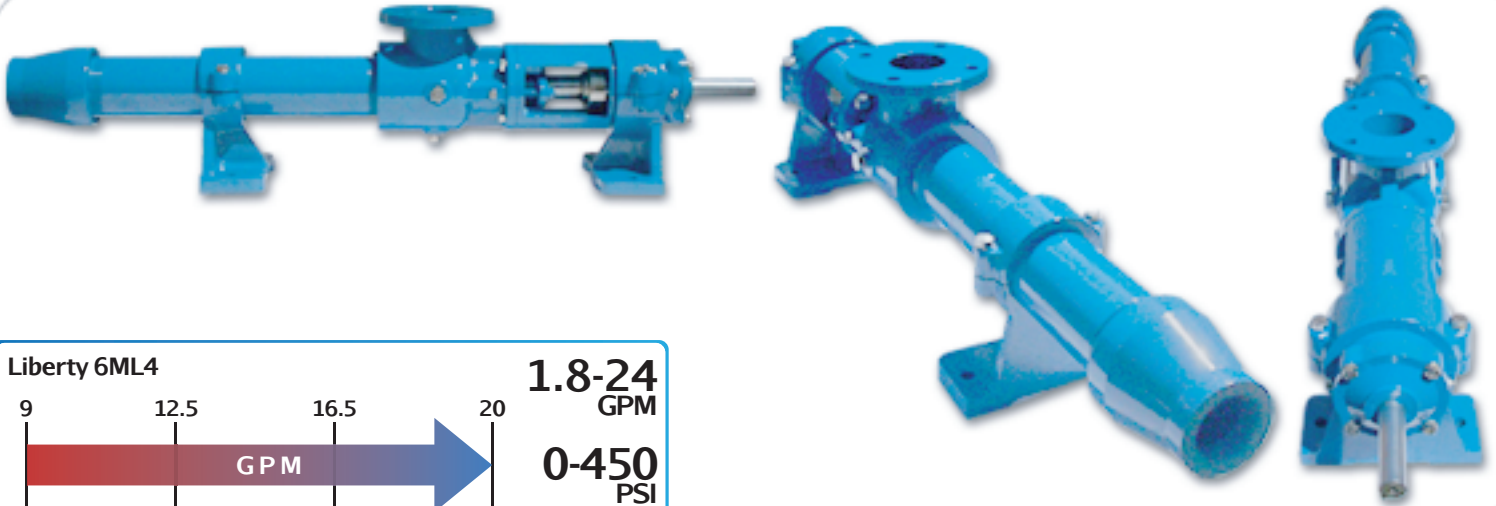


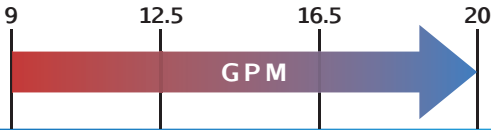


LIBERTY ML SERIES - 6ML4

Progressive Cavity Pump for Metering & Dosing



Liberty 6ML4



1.8-24
GPM

0-450
PSI

Features

- Modular Design
- Maintenance Free
- Easy Assembly/Disassembly
- Simple Pin-Joint Design Connections
- NPT Stator Discharge Connections
- Non-Pulsating & Low Shear

Materials

Rotor: *Stainless Steel, Chrome Plated Tool Steel*

Stator: *Buna, Viton™*

Motor: *3, 5, and 7.5 hp*

Inlet: *3"*

Outlet: *2-1/2"*

Bases: *Steel and Stainless Steel*

Pump Description

The Liberty 6ML4 Progressive Cavity Metering and Dosing Pump is an ideal metering pumping solution for the pumping of polymers and other chemical mixes. The Liberty 6ML4 Series PC Pump is a standard flanged pump manufactured with cast iron or stainless steel casings.

The pump unit is a modular design with simple hardened pinned joint drive assembly. Rotors are typically hardened tool steel or stainless steel with a hard chrome plating for long life in abrasive and erosive applications. All other wetted parts are either carbon steel or stainless steel for added durability.

Stators are available in many elastomer materials such as buna, natural rubber, epdm and viton. The standard seal design is a set of gland packing with Lantern Ring and Flush Connections. Mechanical seal options are readily available. The Liberty unit is a low-cost, maintenance free, dependable drop-in replacement pump which will give you the service you need at a price you can afford.

Curves

[Click Links Below](#)

6-Stage
6ML4

Drawings

[Click Links Below](#)

6-Stage
6ML4

P: 847.640.7867 F: 847.640.7855
2525 Clearbrook Drive Arlington Heights, IL 60005

www.libertyprocess.com

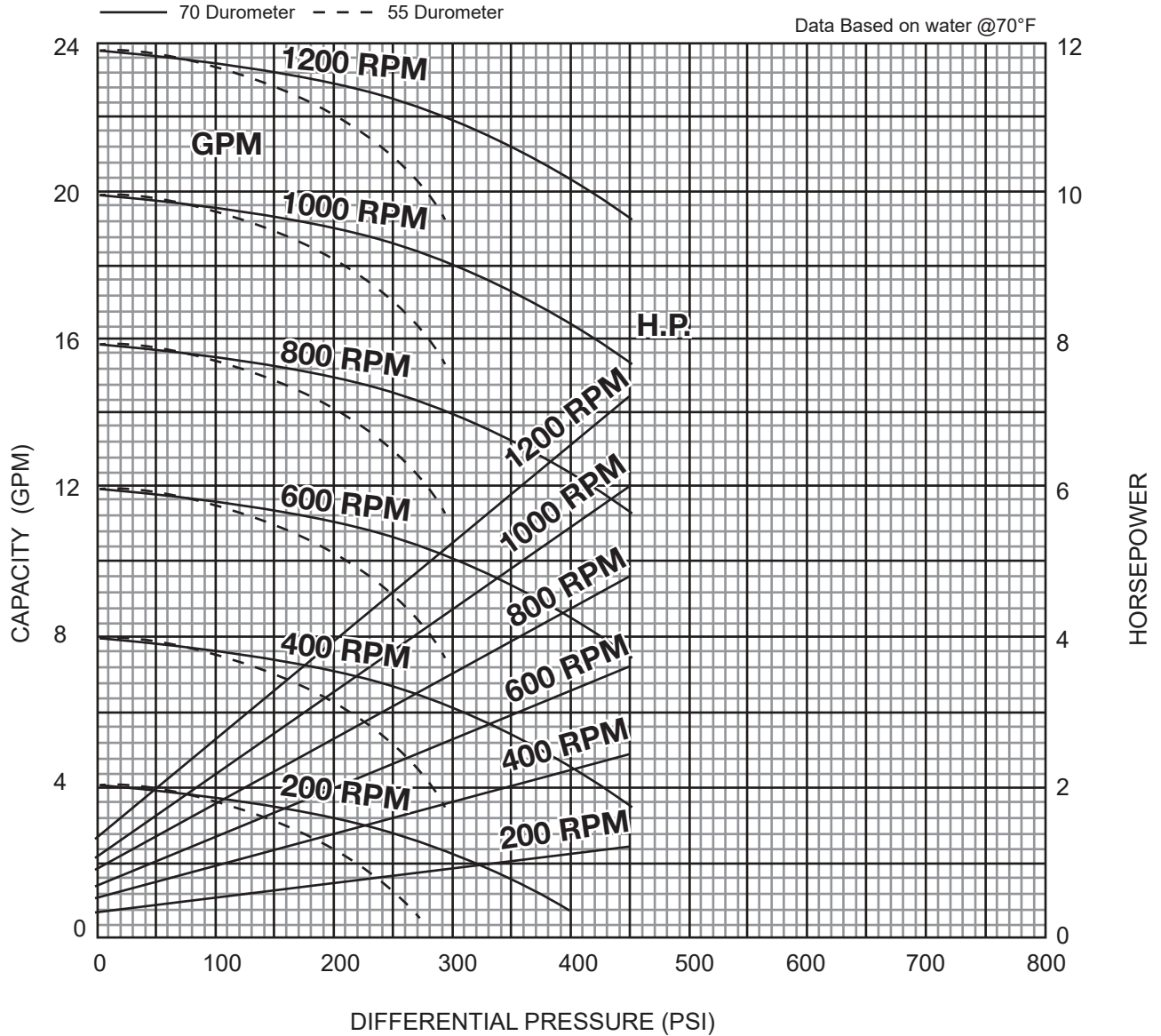


LIBERTY ML SERIES - 6ML4

Progressive Cavity Pump

Performance Curves

RPM	200	400	600	800	1000	1200
NPSH REQ'D	.9	1.7	2.6	3.4	4.8	6.7
MIN. HP	1 1/2	2	3	3	5	5



[BACK TO TOP](#)

6 Stage Pump

P: 847.640.7867 F: 847.640.7855
2525 Clearbrook Drive Arlington Heights, IL 60005

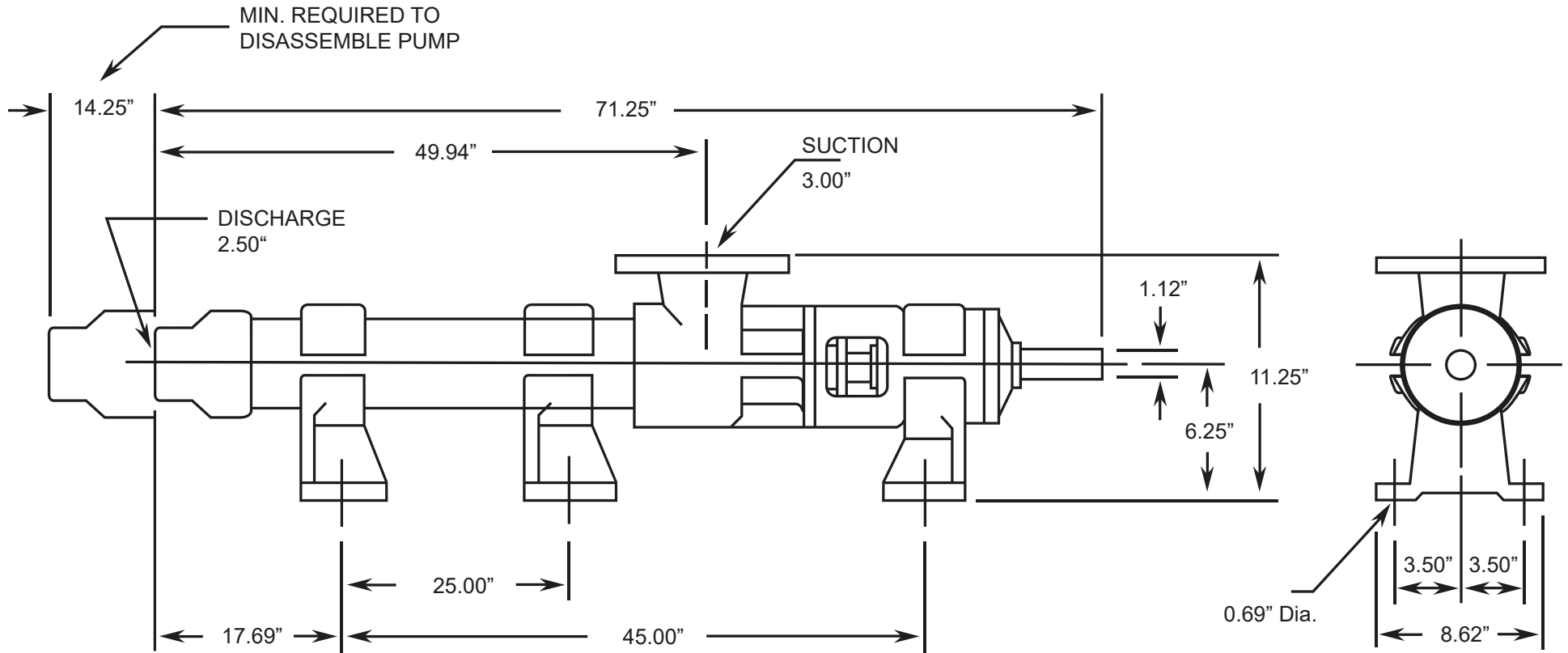
www.libertyprocess.com



ML SERIES - 6ML4

Progressive Cavity Pump

Dimensional Drawings



BACK TO TOP

6 Stage Pump

Net weight
≈ lbs.
171

ALL DIMN: Inches
P: 847.640.7867 F: 847.640.7855
2525 Clearbrook Drive Arlington Heights, IL 60005

www.libertyprocess.com