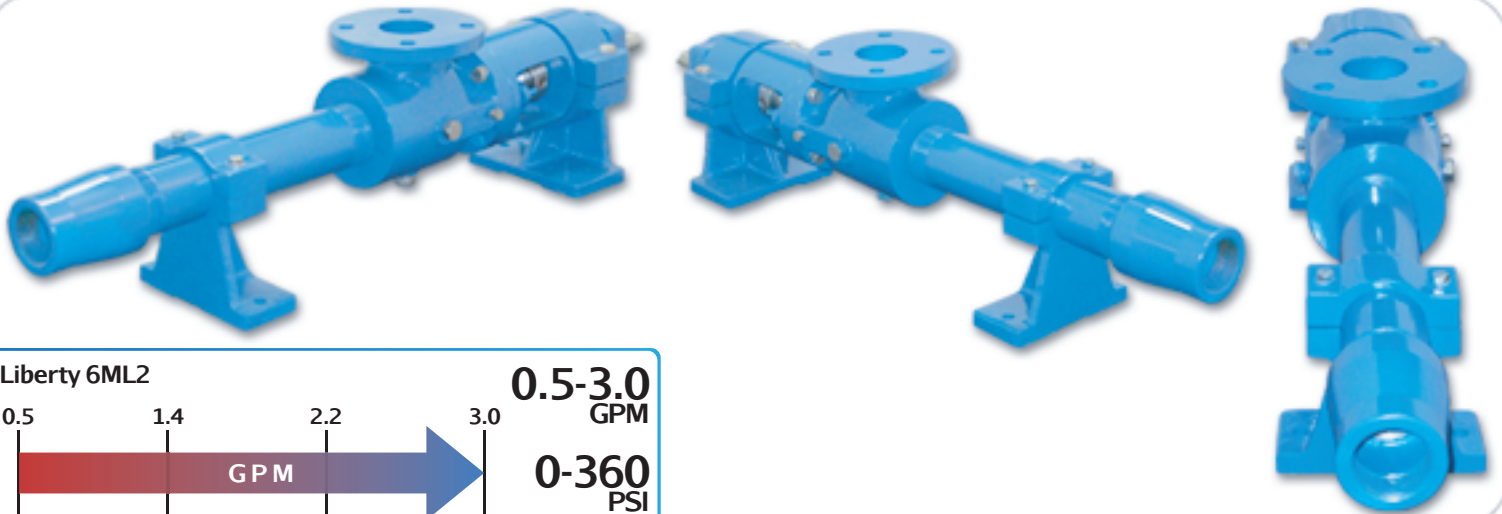


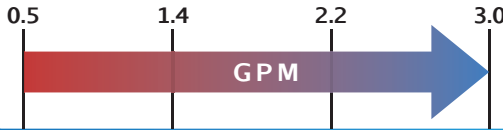


# LIBERTY ML SERIES - 6ML2

Progressive Cavity Pump for Metering & Dosing



Liberty 6ML2



## Features

- Modular Design
- Maintenance Free
- Easy Assembly/Disassembly
- Simple Pin-Joint Design
- Low Shear
- Non-Pulsating

## Materials

**Rotor:** *Stainless Steel, Chrome Plated Tool Steel*

**Stator:** *Buna, Viton™, EPDM, Natural Rubber*

**Motor:** *1/2, 3/4, and 1 hp*

**Inlet:** *1-1/2"*

**Outlet:** *3/4"*

**Bases:** *Steel and Stainless Steel*

## Pump Description

The Liberty 6ML2 Progressive Cavity Metering and Dosing Pump is an ideal metering pumping solution for the pumping of polymers and other chemical mixes. The Liberty 6ML2 Series PC Pump is a standard flanged pump manufactured with cast iron or stainless steel casings.

The pump unit is a modular design with simple hardened pinned joint drive assembly. Rotors are typically hardened tool steel or stainless steel with a hard chrome plating for long life in abrasive and erosive applications. All other wetted parts are either carbon steel or stainless steel for added durability.

Stators are available in many elastomer materials such as buna, natural rubber, epdm and viton. The standard seal design is a set of gland packing with Lantern Ring and Flush Connections. Mechanical seal options are readily available. The Liberty unit is a low-cost, maintenance free, dependable drop-in replacement pump which will give you the service you need at a price you can afford.

## Curves

[Click Links Below](#)

6-Stage  
**6ML2**

## Drawings

[Click Links Below](#)

6-Stage  
**6ML2**

P: 847.640.7867 F: 847.640.7855  
2525 Clearbrook Drive Arlington Heights, IL 60005

[www.libertyprocess.com](http://www.libertyprocess.com)

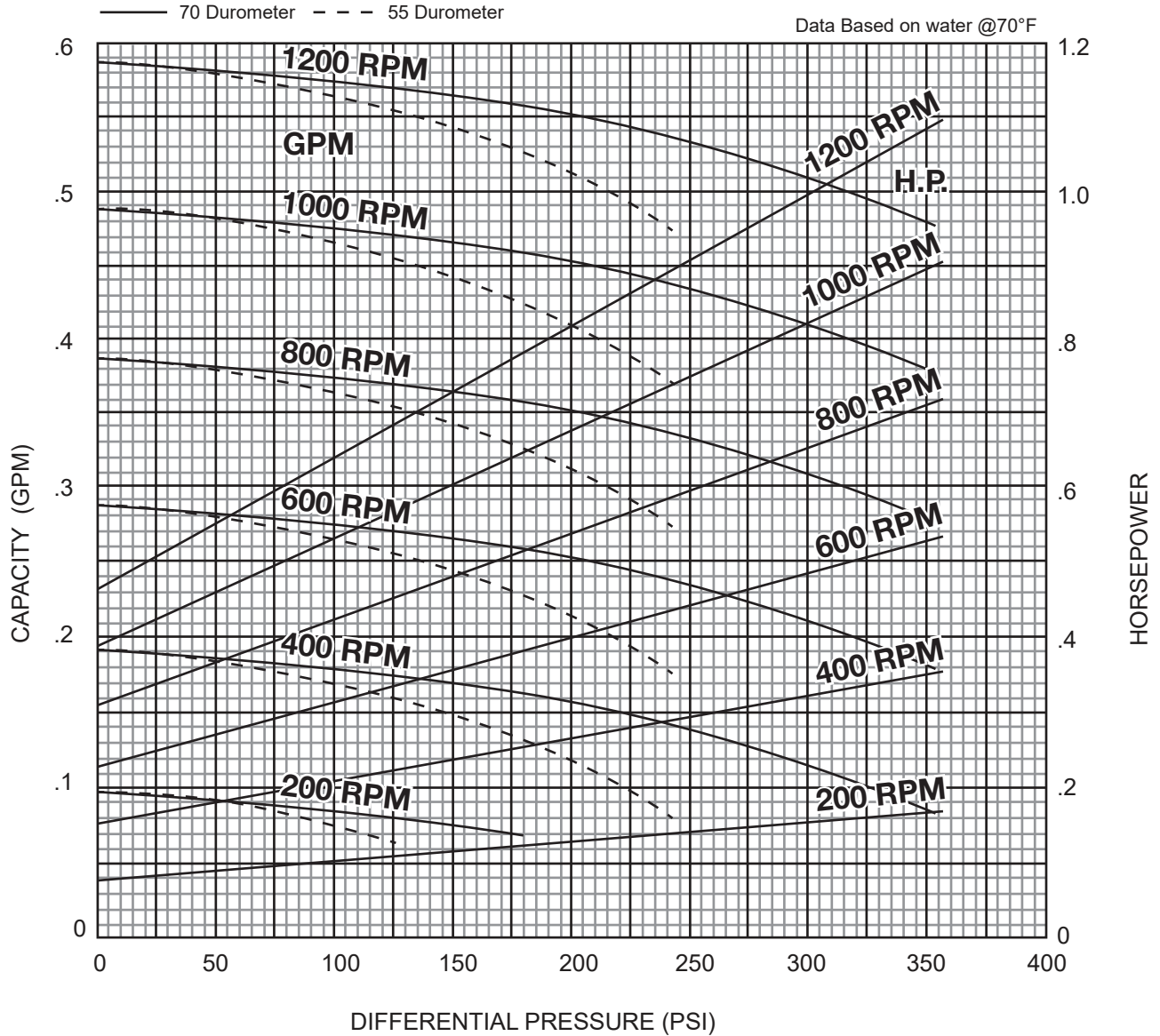


# LIBERTY ML SERIES - 6ML2

Progressive Cavity Pump

Performance Curves

RPM	200	400	600	800	1000	1200
NPSH REQ'D	.4	.9	1.3	1.7	2.1	2.6
MIN. HP	1/3	1/2	3/4	3/4	1	1



[BACK TO TOP](#)

**6 Stage Pump**

P: 847.640.7867 F: 847.640.7855  
2525 Clearbrook Drive Arlington Heights, IL 60005

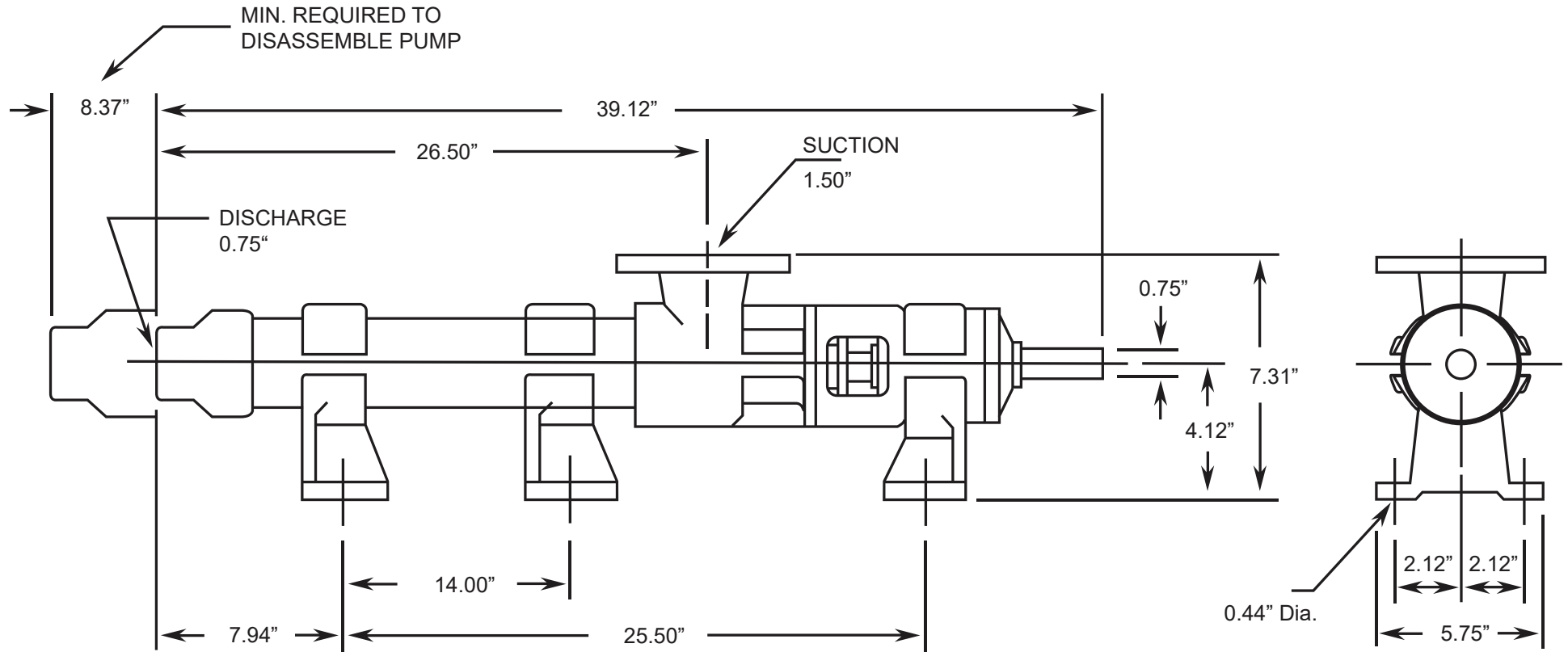
[www.libertyprocess.com](http://www.libertyprocess.com)



# ML SERIES - 6ML2

Progressive Cavity Pump

Dimensional Drawings



[BACK TO TOP](#)

**6 Stage Pump**

Net weight

≈ lbs.

**55**

ALL DIMN: Inches

P: 847.640.7867 F: 847.640.7855  
2525 Clearbrook Drive Arlington Heights, IL 60005

[www.libertyprocess.com](http://www.libertyprocess.com)