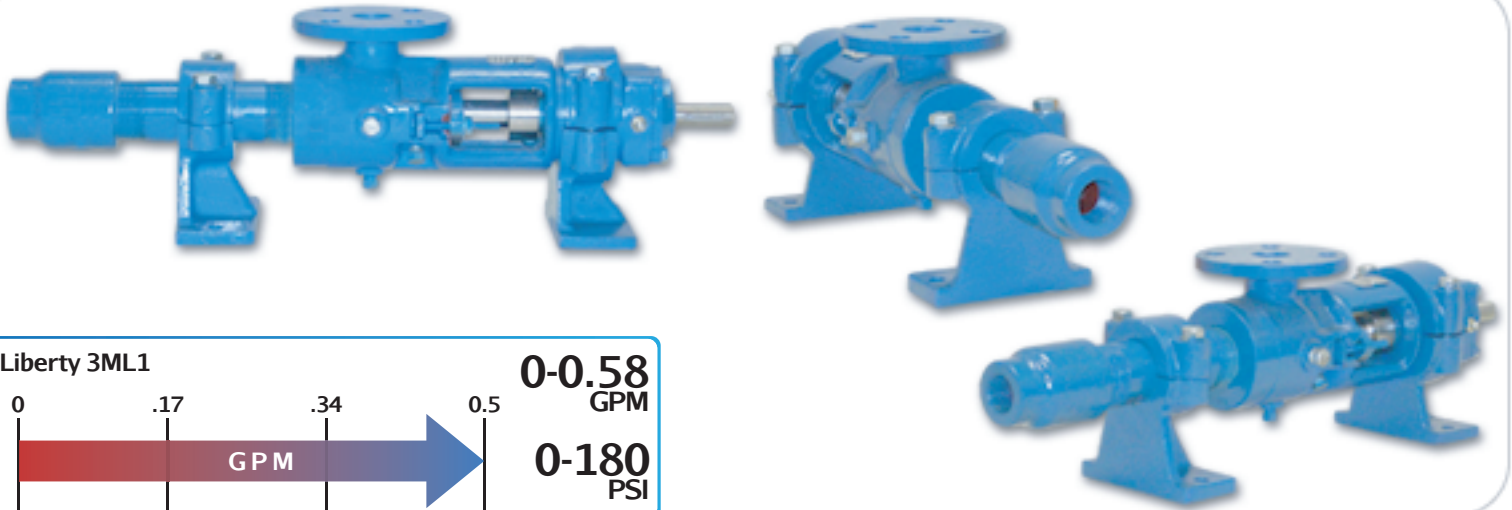


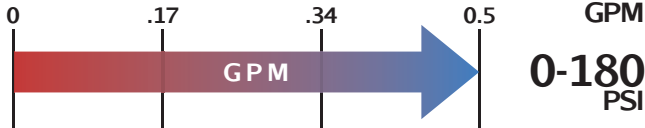


LIBERTY ML SERIES - 3ML1

Progressive Cavity Pump for Metering & Dosing



Liberty 3ML1



Features

- Modular Design
- Maintenance Free
- Easy Assembly/Disassembly
- Simple Pin-Joint Design
- Low Shear
- Non-Pulsating

Materials

Rotor: *Stainless Steel, Chrome Plated Tool Steel*

Stator: *Buna, Viton™, EPDM, Natural Rubber*

Motor: *1/4 - 1/2 hp*

Inlet: *1"*

Outlet: *3/4"*

Bases: *Steel and Stainless Steel*

Pump Description

The Liberty 3ML1 Pump is a low-flow Progressive Cavity Pump for metering chemicals and polymers in a variety of industries. The 3ML1 is a 2 Stage Pump for pressures up to 180 PSI. Offered with a 1" standard flanged suction and 3/4" NPTF discharge connection and is available in both cast iron and stainless steel.

The pump units modular design with simple pinned joint drive assembly makes it an ideal cost-effective choice for all of your low-flow applications. Rotors are typically hardened tool steel or stainless steel with a hard chrome plating specification. All other wetted parts are either carbon steel or stainless steel. Stators are available in many elastomer materials such as buna, natural rubber, epdm and viton.

The standard seal design is a set of gland packing with a Lantern Ring and flush connections; Mechanical seal options are readily available. The Liberty unit is a low-cost, maintenance free, dependable drop-in replacement low-flow progressive cavity pump.

Curves

[Click Links Below](#)

3-Stage
3ML1

Drawings

[Click Links Below](#)

3-Stage
3ML1

P: 847.640.7867 F: 847.640.7855
2525 Clearbrook Drive Arlington Heights, IL 60005

www.libertyprocess.com

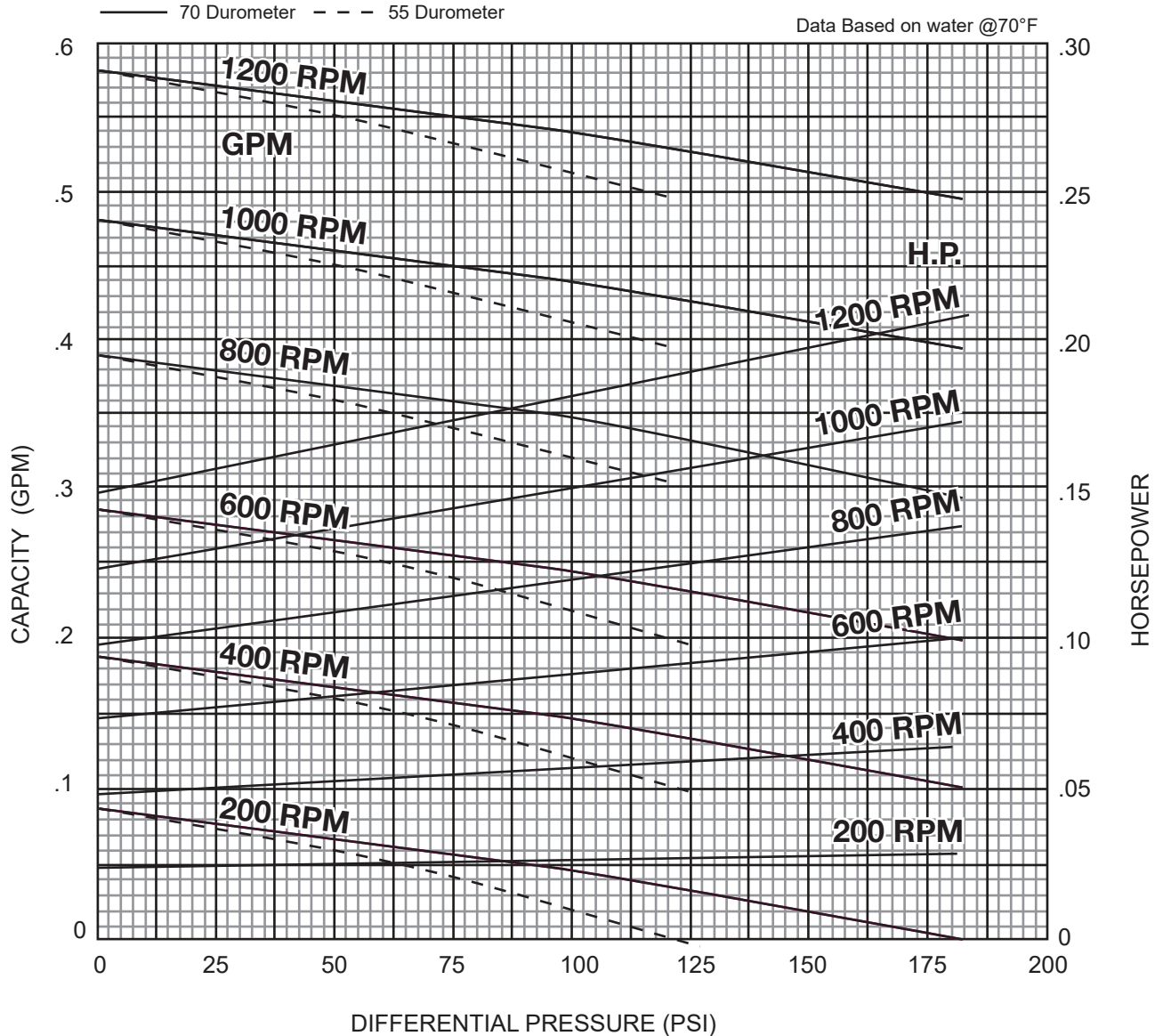


LIBERTY ML SERIES - 3MLI

Progressive Cavity Pump

Performance Curves

RPM	200	400	600	800	1000	1200
NPSH REQ'D	.3	.6	.9	1.2	1.5	1.8
MIN. HP	1/8	1/8	1/6	1/6	1/4	1/4



[BACK TO TOP](#)

3 Stage Pump

P: 847.640.7867 F: 847.640.7855
2525 Clearbrook Drive Arlington Heights, IL 60005

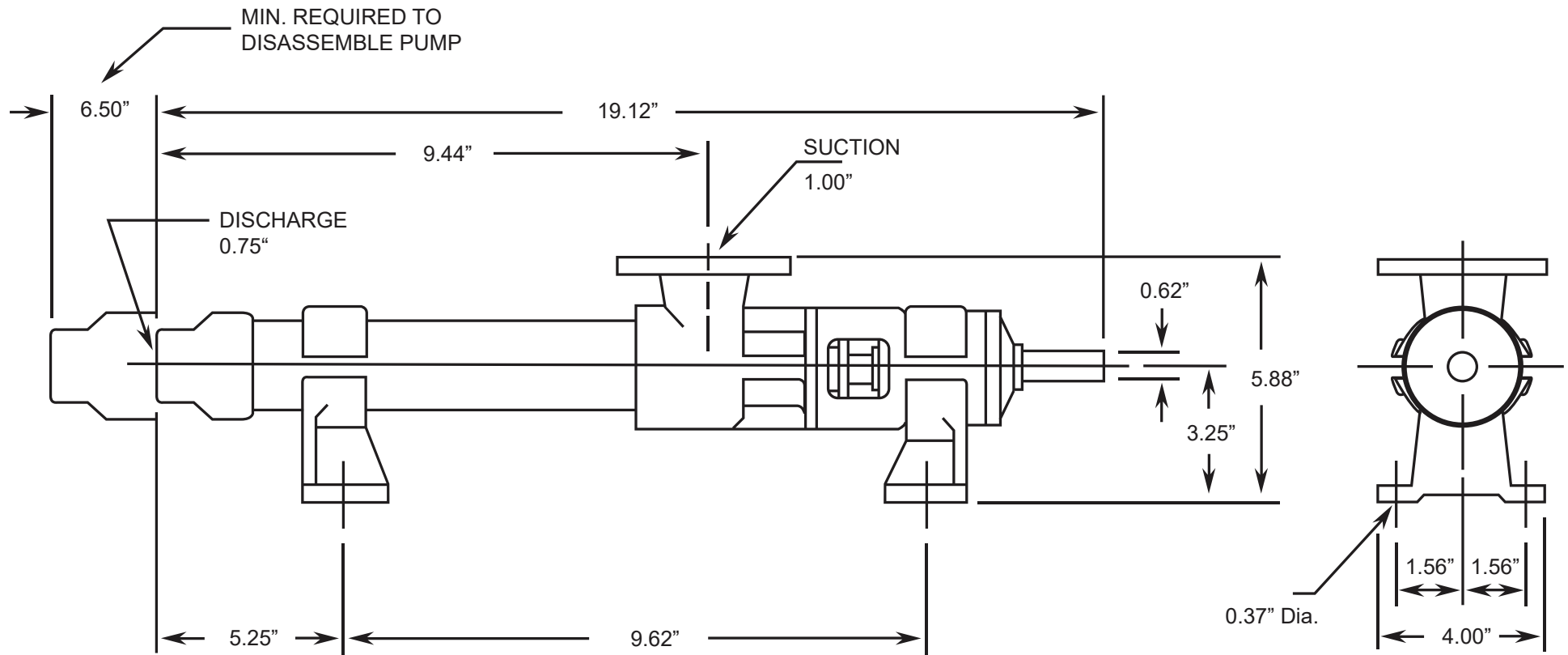
www.libertyprocess.com



ML SERIES - 3MLI

Progressive Cavity Pump

Dimensional Drawings



BACK TO TOP

3 Stage Pump

Net weight	
ALL DIMN: Inches	≈ lbs.
	24

P: 847.640.7867 F: 847.640.7855
2525 Clearbrook Drive Arlington Heights, IL 60005

www.libertyprocess.com