

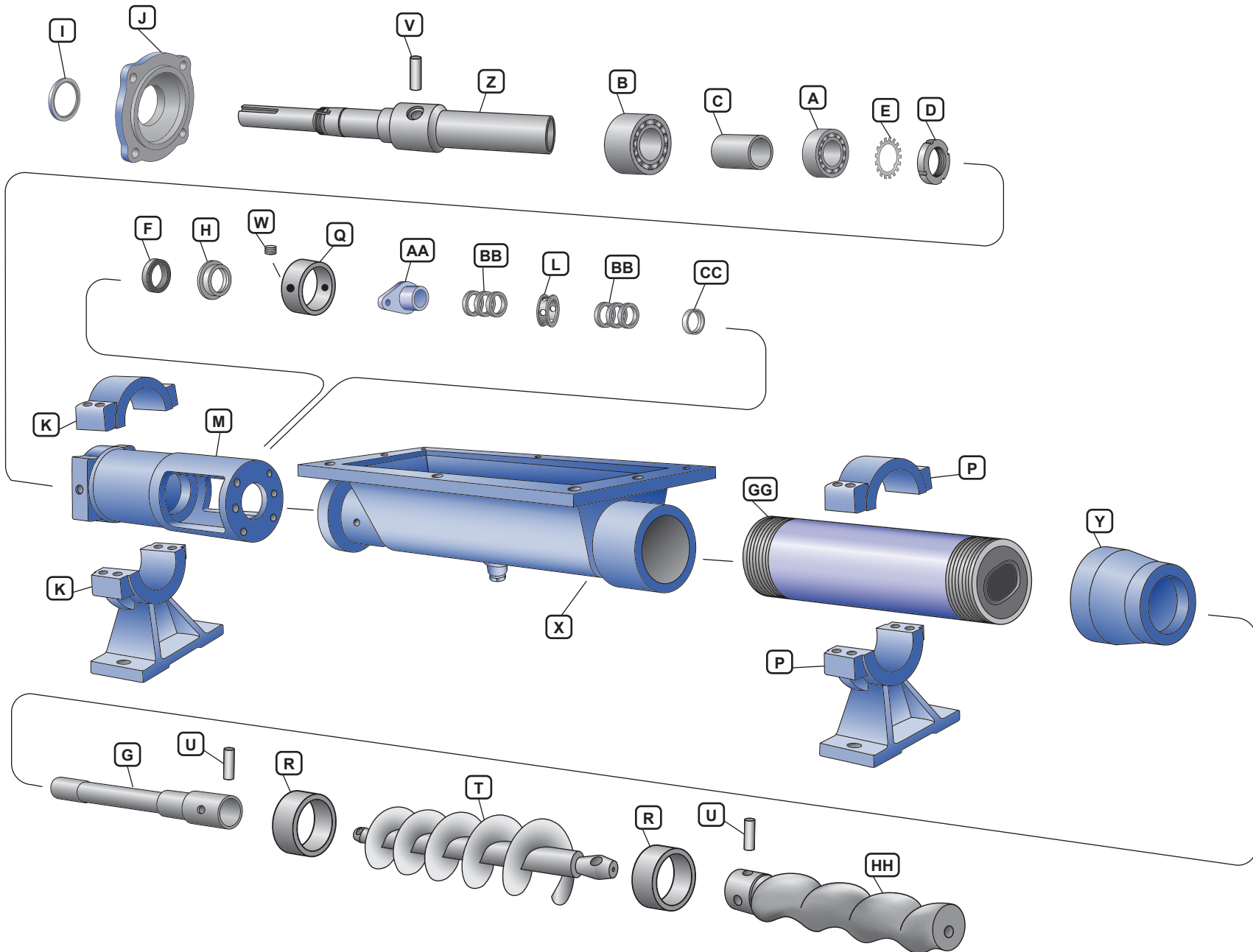


JUSTICE SERIES

Progressive Cavity Pump Parts
Exploded View

P: 847.640.7867 F: 847.640.7855
2525 Clearbrook Drive Arlington Heights, IL 60005

www.libertyprocess.com



Parts above are for Liberty Series Pumps JL4, JL6, JL8



JUSTICE SERIES

Progressive Cavity Pump Parts
Exploded View

Pump Components

- A. Radial Bearing
- B. Thrust Bearing
- C. Bearing Spacer
- D. Bearing Lock Nut
- E. Bearing Lock Washer
- F. Radial Grease Seal
- G. Intermediate Drive Shaft
- H. Grease Seal Retainer
- I. Thrust Grease Seal
- J. Bearing Cover Plate
- K. Suction Housing Support
- L. Lantern Ring
- M. Bearing Housing
- P. Stator Support
- Q. Collar Pin Retainer
- R. Rotor Pin Retainer
- *R. Rotor Pin Retainer (optional)
- S. Connecting Rod Washer
- T. Auger
- U. Rotor Pin
- V. Drive Shaft Pin
- W. Drive Pin Retaining Screw
- X. Hopper
- Y. Pump Reducer
- Z. Drive Shaft
- AA. Packing Gland
- BB. Packing
- CC. Packing Gland Insert
- GG. Stator
- HH. Rotor

Hardware

- A. Hex Head Screw (with lock washer)
- B. Shaft Key
- C. Pipe Plug (stainless steel)
- D. Set Screw (with thread sealing compound)
- E. Socket Head Screw
- F. Hex Nut, Packing
- H. Stud Packing
- J. Pipe Plug
- K. Zerk Fitting
- L. Hex Head Bolt
- M. Hex Head Screw (with lock washer)
- N. Pipe Plug
- O. Hex Head Screw (with lock washer)
- P. Hex Head Screw (with lock washer)
- Q. Pipe Plug
- R. Hex Head Screw (with lock washer)
- T. Socket Head Screw

