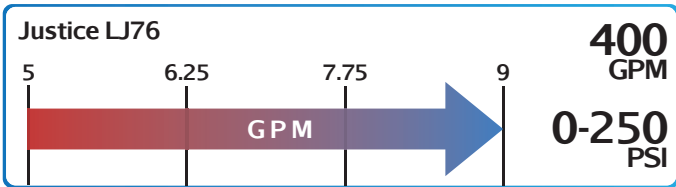
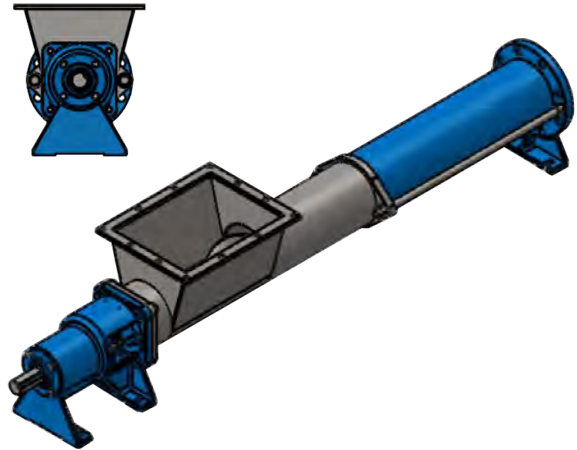
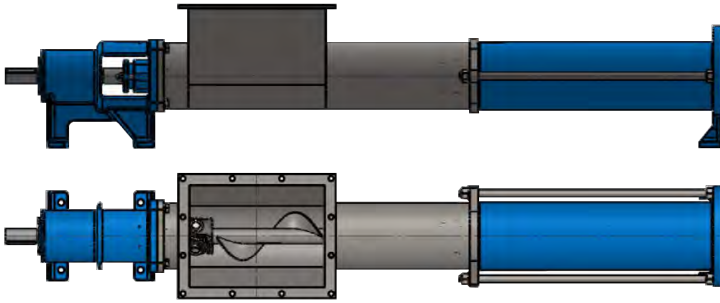




JUSTICE SERIES - LJ76

Progressive Cavity Hopper Pump



Features

- Large feed hopper
- Heavy-duty Welded Auger
- Hardened pinned-joint drive assembly
- Choice of Packing or Mechanical Seal
- 3-Stage Options are Available
- Choose between Steel or Stainless Steel

Materials

ROTORS: Chrome Plated Tool Steel or Stainless Steel

STATORS: Buna / Viton® / EPDM / Rubber

MOTOR: 75 HP

INLET: 16" (482 x 392mm)

OUTLET: 8"

BASES: Stainless Steel Chrome Plated

Curves

[Click Links Below](#)

1-Stage
1LJ76

2-Stage
2LJ76

3-Stage
3LJ76

Drawings

[Click Links Below](#)

1-Stage
Coming
Soon

2-Stage
2LJ76

3-Stage
Coming
Soon

Pump Description

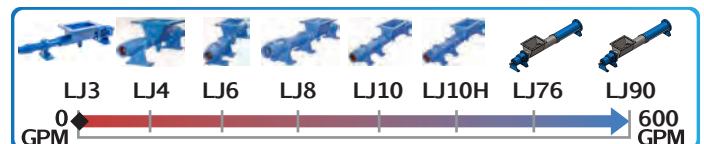
The Justice LJ76 Series Open Hopper Progressive Cavity Pump represents an ideal pumping solution for viscous solutions and those with high solids contents for industrial wastewater. Flow rates of up to 400 GPM, 100 gallons per 100 revolutions per at up to 250 PSI Oil are standard. The Justice Series integrates a heavy-duty auger mated to a rotor and stator for challenging pumping applications today.

The Justice LJ76 offers a rectangular feed hopper which easily handles your pumping medium, while the non-pulsating design produces a low-shear flow that conveys your medium along effectively. Solids in suspension of up to 50% are accommodated by design.

The modular system of the LJ76 Justice Series Open Hopper Progressive Cavity Pump has a hardened pinned-joint drive assembly, available in either steel or stainless steel. The pump also includes internal wetted components in either stainless or hardened tool steel with hard chrome plating for durability and long-life in abrasive pumping applications.

The LJ76 Justice Series are available in 1, 2, and 3 stage rotor and stators for applications with 85, 170, and 250 PSI discharge pressures. The stators are available in Buna Nitrile, Viton, EPDM and Natural Rubber. Standard seal design is a set of packing with a lantern ring and flush connections. Mechanical Seal options are available as well.

Contact a Liberty Process representative today for more information about the Justice Series for pumping viscous solutions. Liberty Justice Series LJ76 Progressive Cavity Pump Parts are also available.



P: 847.640.7867 F: 847.640.7855
2525 Clearbrook Drive Arlington Heights, IL 60005

www.libertyprocess.com

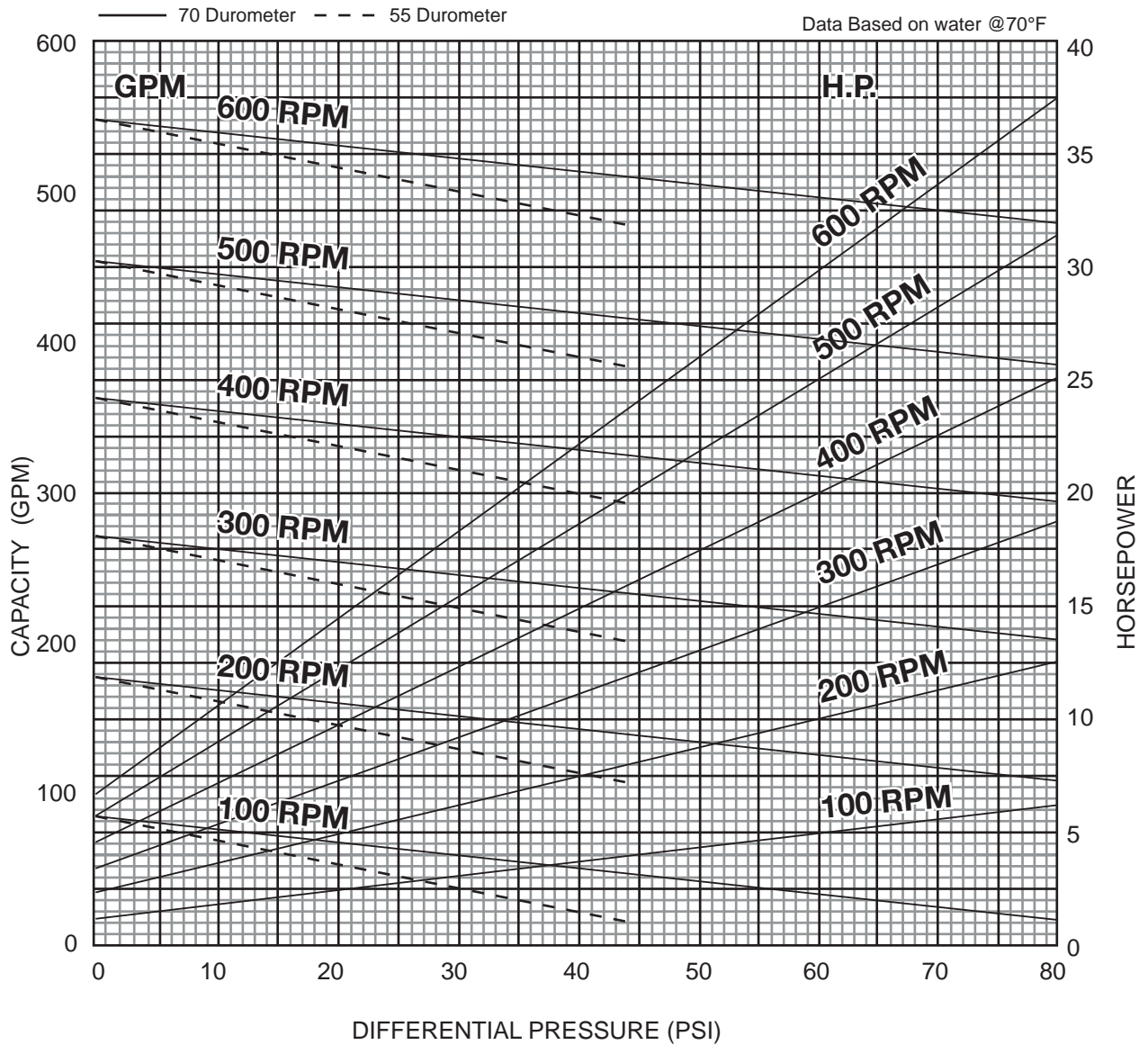


JUSTICE SERIES - 1LJ76

Progressive Cavity Pump

Performance Curves

RPM	200	400	600	800	1000	1200
NPSH REQ'D	X	X	X	X	X	X
MIN. HP	X	X	X	X	X	X



1 Stage Pump

BACK TO TOP

P: 847.640.7867 F: 847.640.7855
2525 Clearbrook Drive Arlington Heights, IL 60005

www.libertyprocess.com

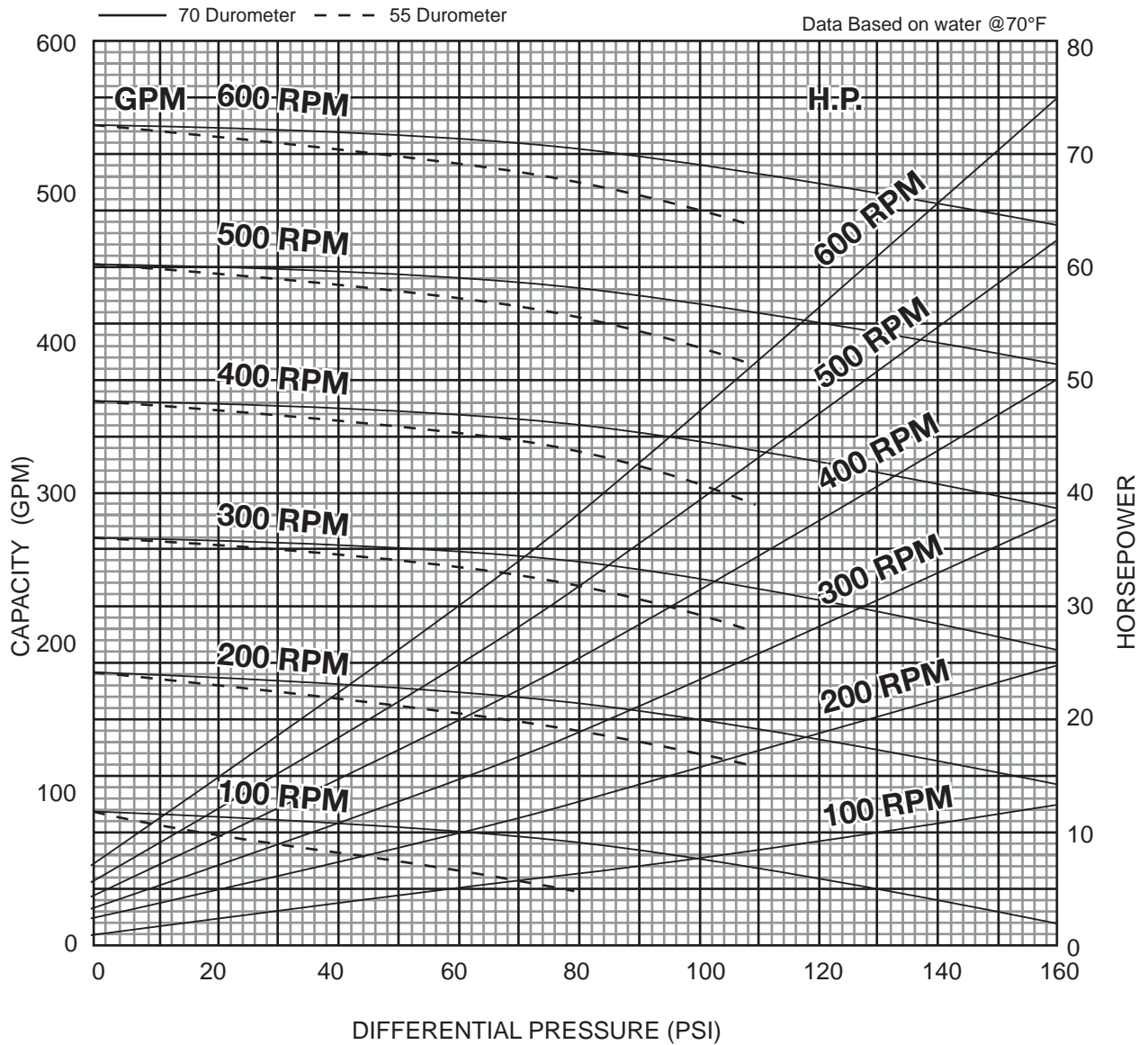


JUSTICE SERIES - 2LJ76

Progressive Cavity Pump

Performance Curves

RPM	200	400	600	800	1000	1200
NPSH REQ'D	X	X	X	X	X	X
MIN. HP	X	X	X	X	X	X



2 Stage Pump

[BACK TO TOP](#)

P: 847.640.7867 F: 847.640.7855
2525 Clearbrook Drive Arlington Heights, IL 60005

www.libertyprocess.com

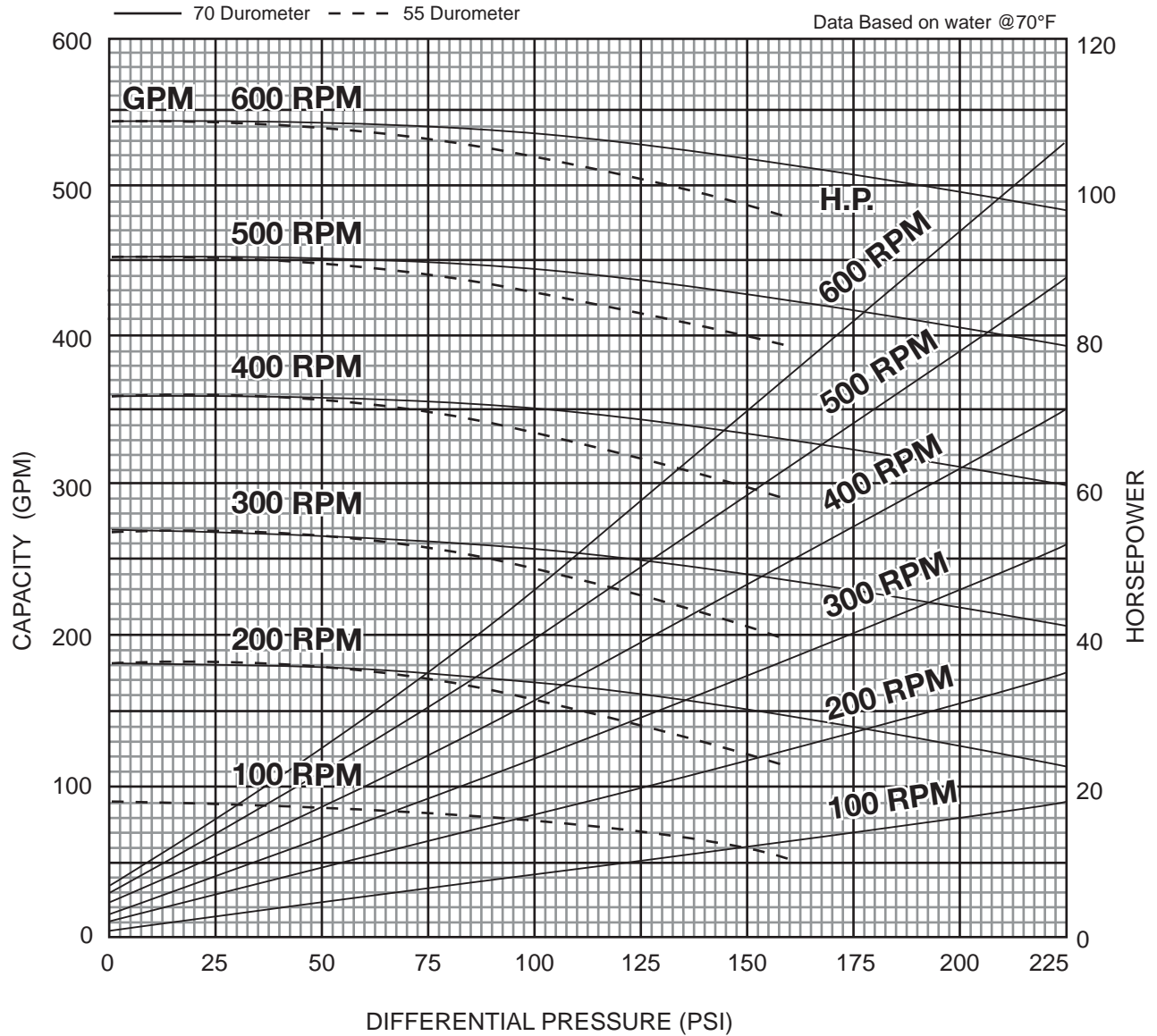


JUSTICE SERIES - 3LJ76

Progressive Cavity Pump

Performance Curves

RPM	200	400	600	800	1000	1200
NPSH REQ'D	X	X	X	X	X	X
MIN. HP	X	X	X	X	X	X



3 Stage Pump

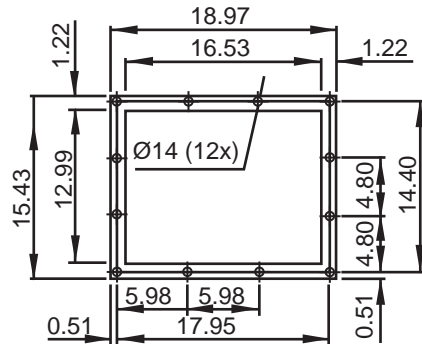
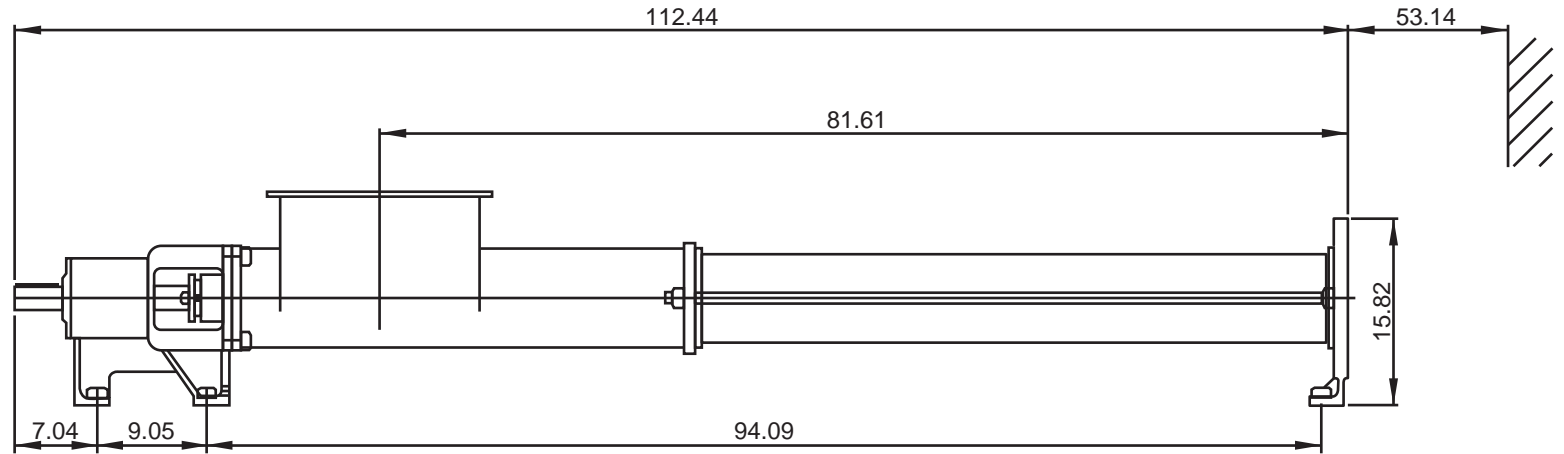
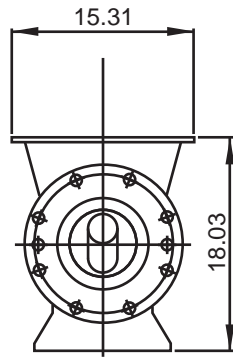
BACK TO TOP



JUSTICE SERIES - 2LJ76

Progressive Cavity Pump

Dimensional Drawings



BACK TO TOP

ALL DIMN: Inches

≈ lbs.

-

2 Stage Pump

P: 847.640.7867 F: 847.640.7855
2525 Clearbrook Drive Arlington Heights, IL 60005

www.libertyprocess.com