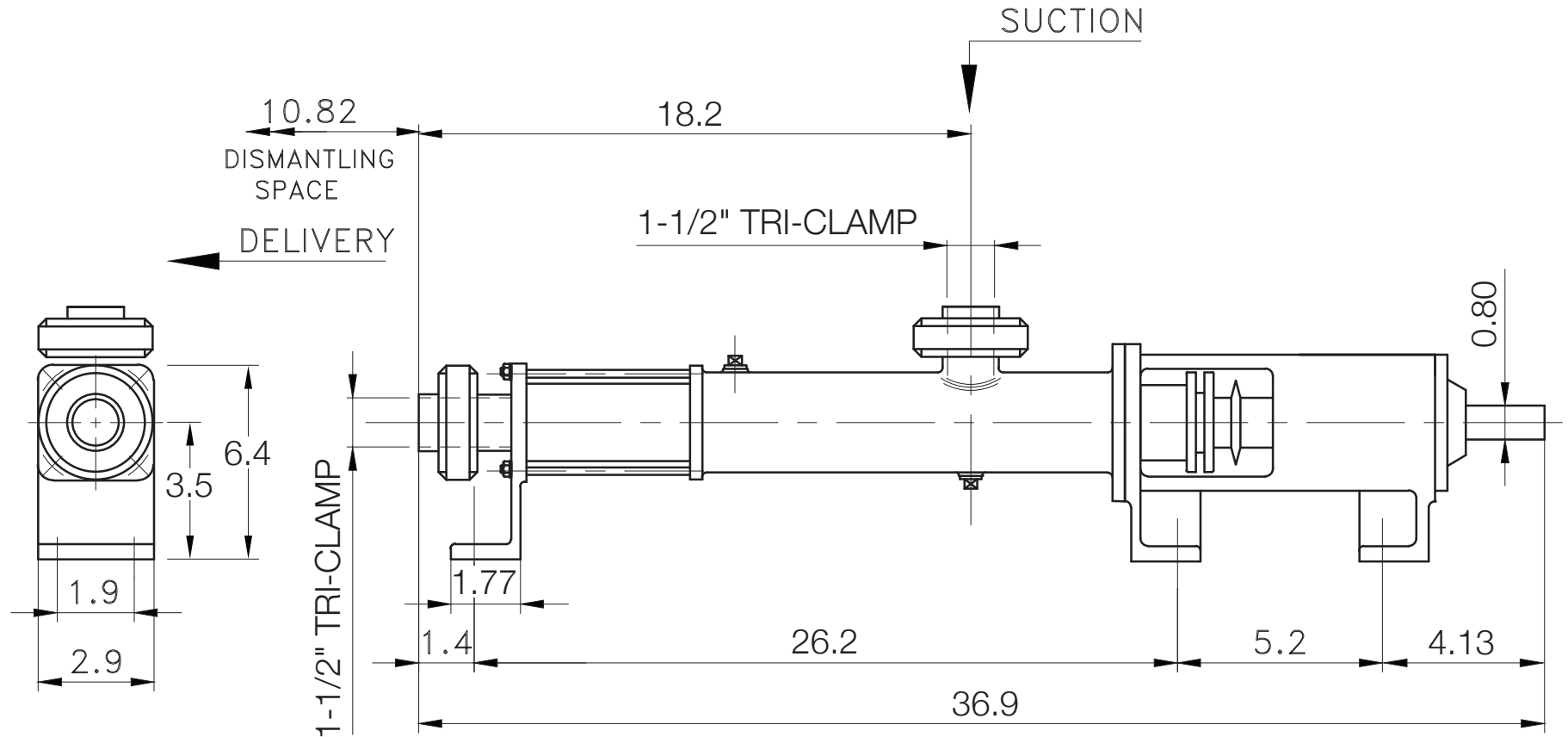




# FREEDOM SERIES - 2FFL2.6

Sanitary Progressive Cavity Pump

Dimensional Drawings



Net weight

≈ lbs.

**26.46**

ALL DIMN: Inches

**2 Stage Pump**

P: 847.640.7867 F: 847.640.7855  
2525 Clearbrook Drive Arlington Heights, IL 60005

[www.libertyprocess.com](http://www.libertyprocess.com)