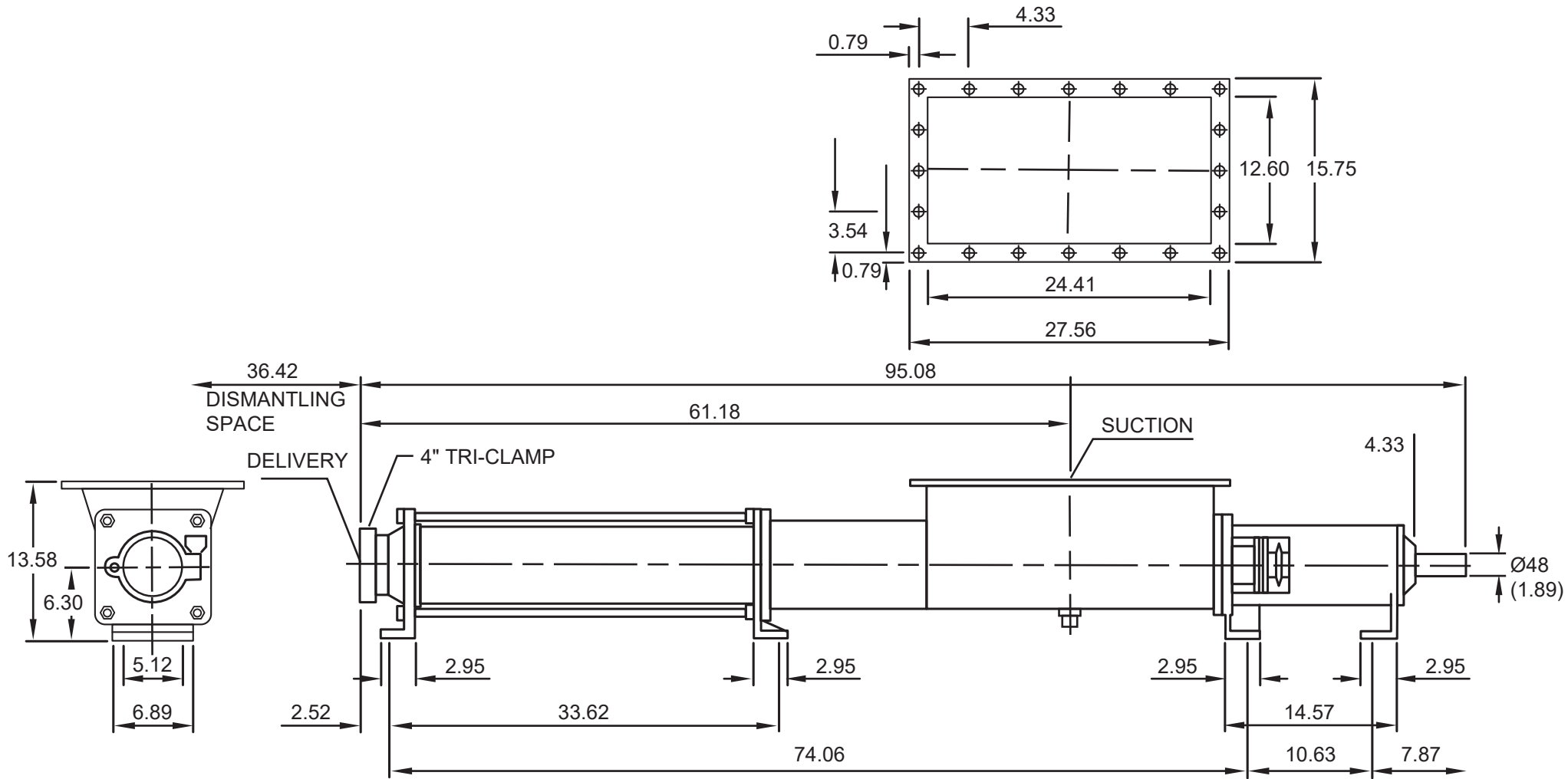




# FREEDOM SERIES - 2FJL76

Sanitary Progressive Cavity Pump

Dimensional Drawings



Net weight

≈ lbs.

ALL DIMN: Inches

**2 Stage Pump**

P: 847.640.7867 F: 847.640.7855  
2525 Clearbrook Drive Arlington Heights, IL 60005

www.libertyprocess.com