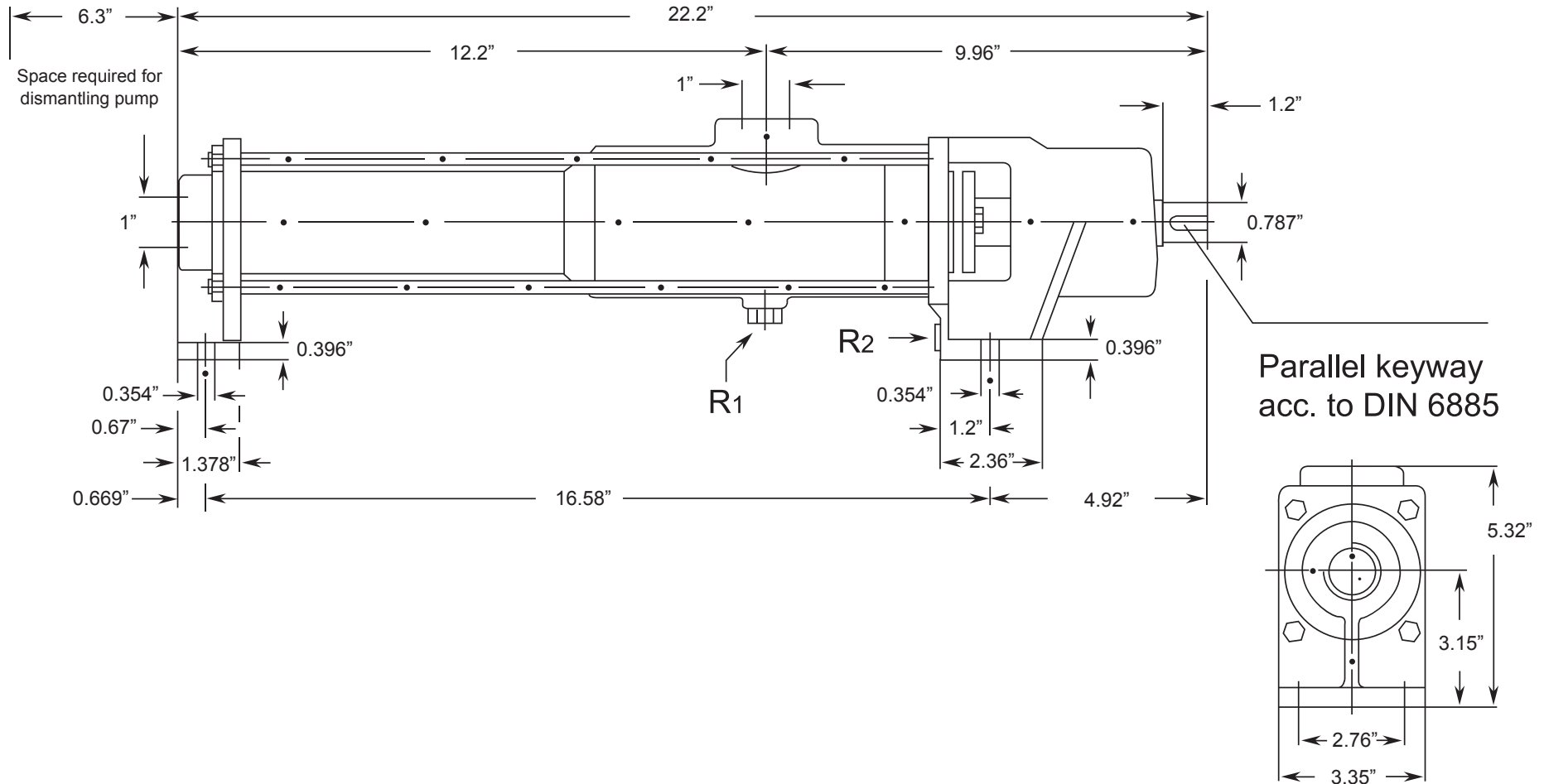




ANPL SERIES - ANPL 6.2

Progressive Cavity Pump

Dimensional Drawings



Parallel keyway
acc. to DIN 6885

Net weight

≈ lbs.

25.35

ALL DIMN: Inches

2 Stage Pump

P: 847.640.7867 F: 847.640.7855
2525 Clearbrook Drive Arlington Heights, IL 60005

Direction of rotation: Counterclockwise looking from the drive end is standard, in which case DN1 = delivery connection, DN2 = suction connection. Opposite direction of rotation is possible in which case DN1 = suction connection, DN2 = delivery connection.

www.libertyprocess.com