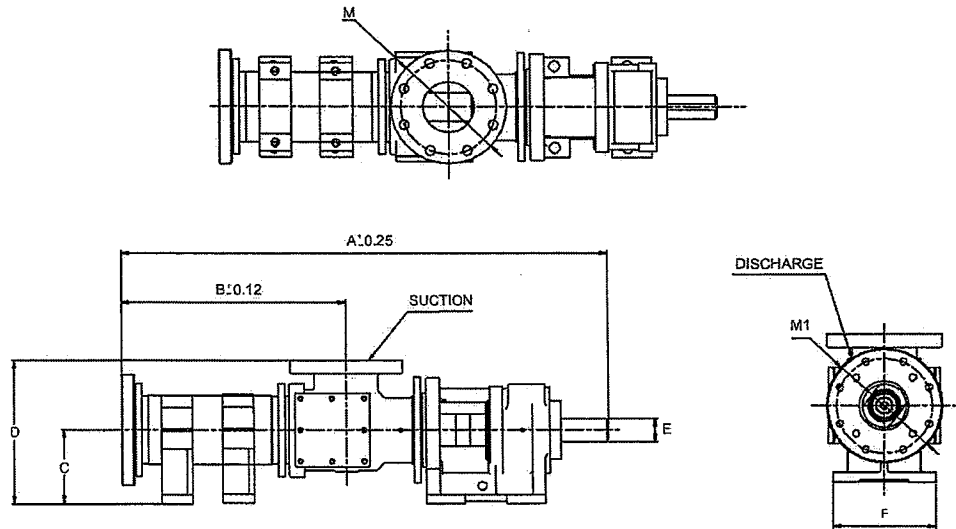




## Millennium Pump Series – Dimension Sheet



### Standard Pump Dimensions

Model	A	B	C	D	E	F	Suction Size	M	Discharge Size	M1	Approx Weight
1E012G1L	42	16	6	12	2	8	4	9	4	9	300
2E012G1L	53	27	6	12	2	8	4	9	4	9	325
1E022G1L	43	17	6	13	2	8	6	11	6	11	330
2E022G1L	56	30	6	13	2	8	6	11	6	11	370
1F036G1L	49	20	7	14	2	10	6	11	6	11	490
2F036G1L	49	34	7	14	2	10	6	11	6	11	560
1F050G1L	54	25	7	14	2	10	6	11	6	11	520
2F050G1L	74	45	7	14	2	10	6	11	6	11	610
1G065G1L	57	24	9	18	2	12	8	14	8	14	760
2G065G1L	75	42	9	18	2	12	8	14	8	14	882
1G090G1L	64	30	9	18	2	12	8	14	8	14	805
2G090G1L	89	56	9	18	2	12	8	14	8	14	960
1H115G1L	67	31	11	20	3	15	8	14	8	14	1110
2H115G1L	90	54	11	20	3	15	8	14	8	14	1185
<b>1J175G1L</b>	<b>75</b>	<b>34</b>	<b>11</b>	<b>22</b>	<b>3</b>	<b>15</b>	<b>10</b>	<b>16</b>	<b>10</b>	<b>16</b>	<b>1555</b>
2J175G1L	101	61	11	22	3	15	10	16	10	16	1840

*\*All listed dimensions in inches*