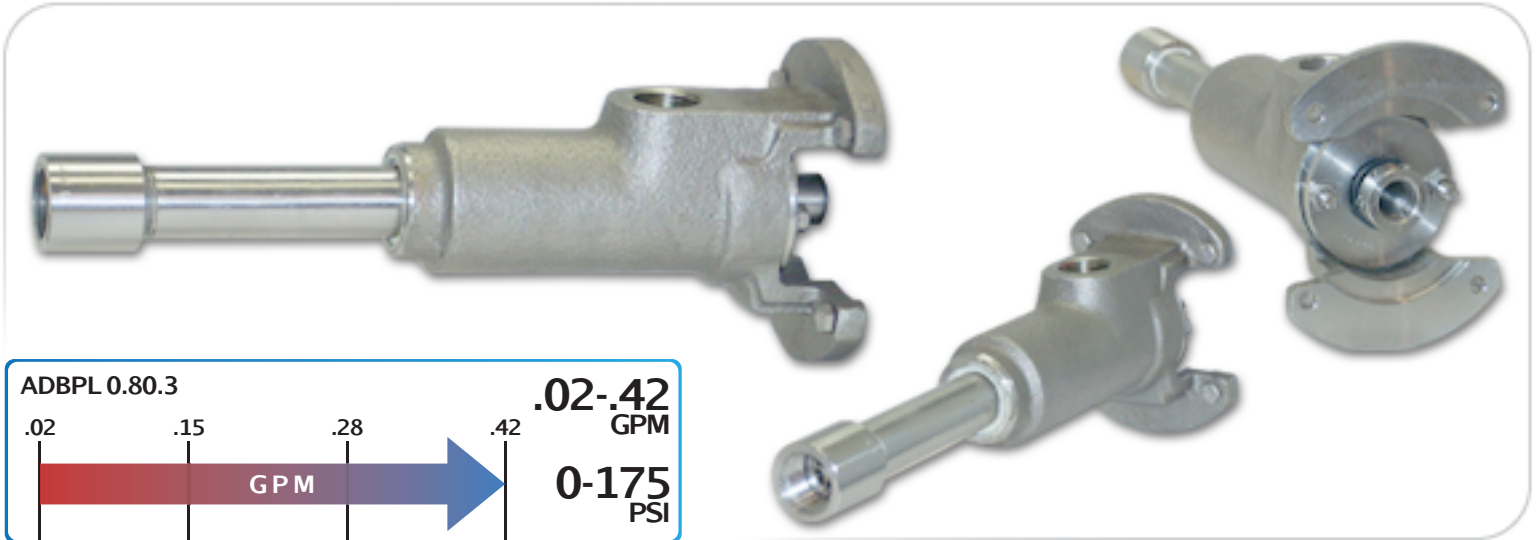


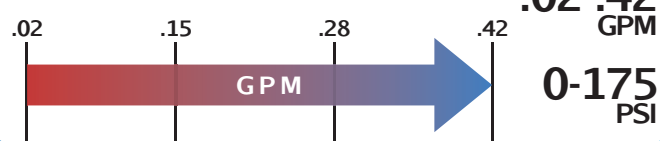


# ADBPL SERIES - 0.80.3

Progressive Cavity Pump for Metering & Dosing



ADBPL 0.80.3



## Features

- Accurate Flow
- Close Coupled
- No Pulsation
- No Check Valves
- Fits in Small Spaces
- Handles High Discharge Pressures

## Materials

**Rotor:** Chrome Plated 316 Stainless Steel

**Stator:** Buna, Viton™

**Motor:** 1/2 hp

**Inlet:** 1"

**Outlet:** 1"

**Bases:** Steel and Stainless Steel

## Pump Description

The ADBPL 0.80.3 pump is an accurate high pressure and low flow progressive cavity metering and dosing pump that is an ideal solution for chemical metering in the manufacturing industry. The ADBPL's close-coupled design enables you to have a more compact pump package where space is at a premium. It also eliminates the need for a baseplate coupling, coupling alignment, and coupling guard. All ADBPL pumps come in three stage designs to handle discharge pressures up to 175 PSI.

ADBPL pumps are available in cast iron and more popular 316 Stainless Steel materials of all wetted parts and are ready to ship same-day from our facility. A wide variety of motors and controls are available for the ADBPL from Liberty Process Equipment to meet your exact control needs and budget. All ADBPL pumps have a 3/4" NPT female connections. Discharge connections for the ADBPL 0.80.3 are 1" NPT Female.

Liberty Process can offer a drive and control option to meet your needs and budget. From a single fixed spaced rotor in AC or DC to a single hand dial to vary the speed to a remote control PLC, Liberty Process Equipment has your low-flow pumping solutions ready to ship same day. Contact us today for a quote and see the difference the ADBPL series can make in your low-flow pumping applications.

## Curves

[Click Links Below](#)

3-Stage  
**ADBPL**  
**0.80.3**

## Drawings

[Click Links Below](#)

3-Stage  
**ADBPL**  
**0.80.3**

P: 847.640.7867 F: 847.640.7855  
2525 Clearbrook Drive Arlington Heights, IL 60005

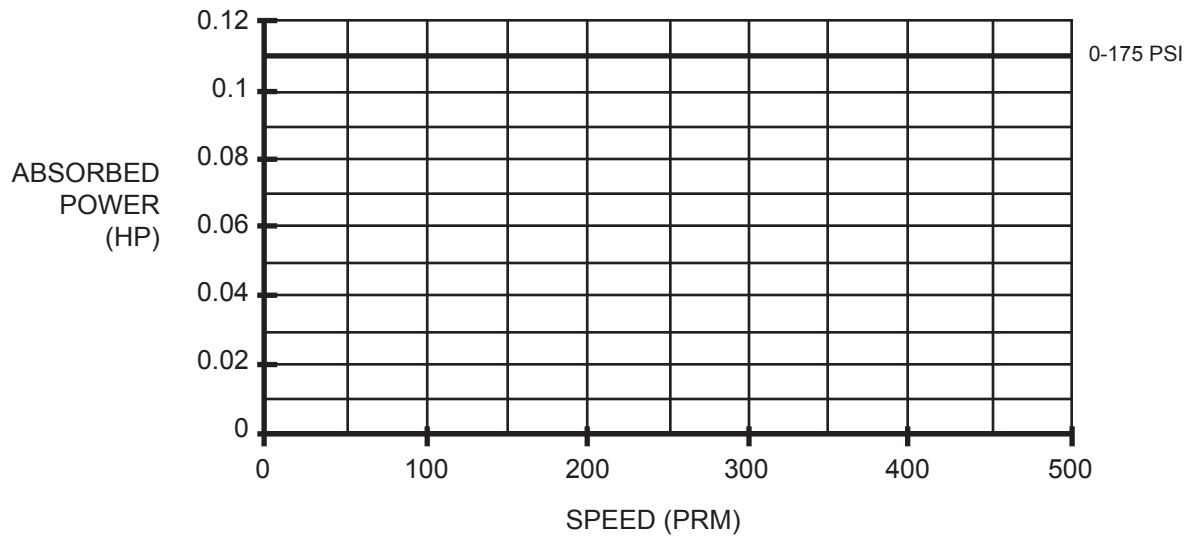
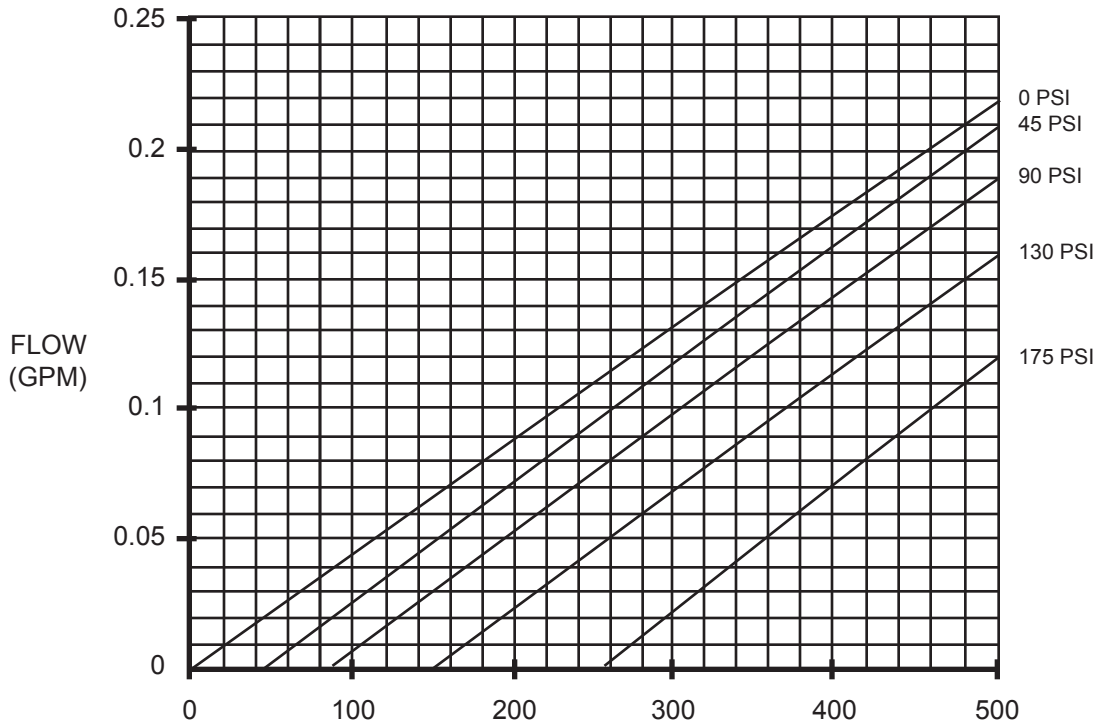
[www.libertyprocess.com](http://www.libertyprocess.com)



# ADBPL SERIES - 0.80.3

Progressive Cavity Pump

Performance Curves



Size: 0.80  
Stage(s): 3  
Starting Torque = 1.3 to 2.6 ft. lb  
Max Pres. = 175 PSI  
RPM = 0 - 500

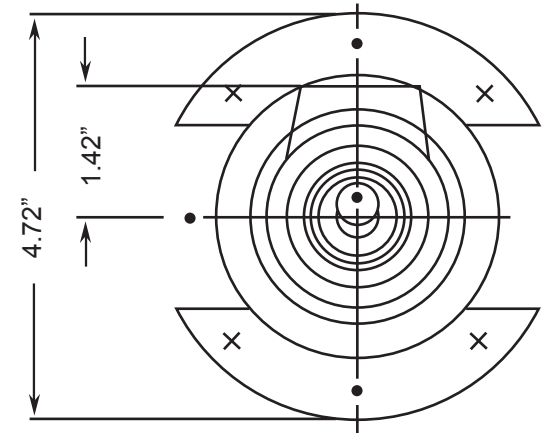
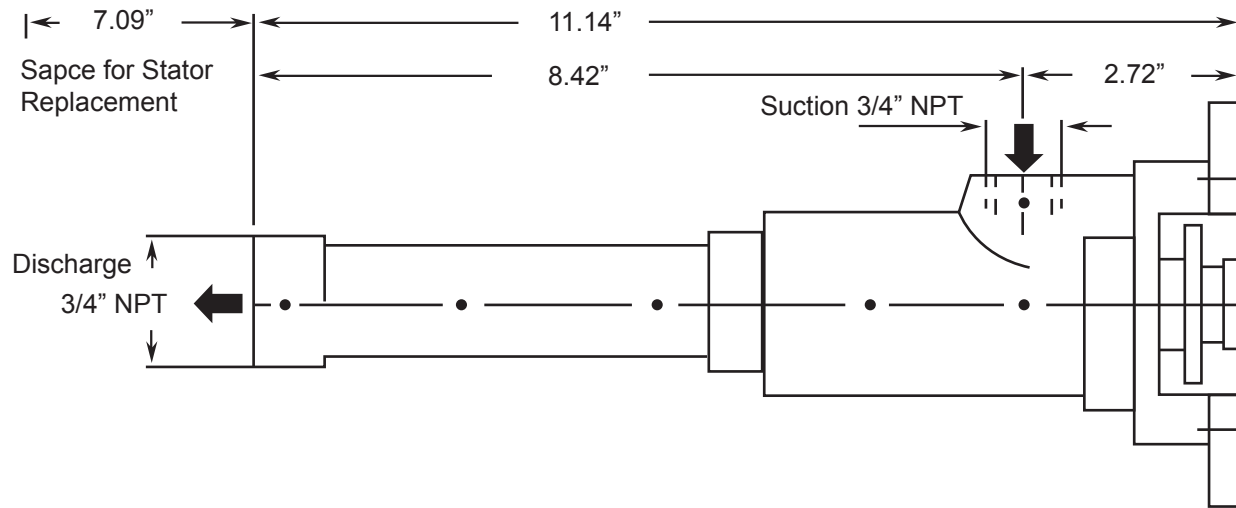
[BACK TO TOP](#)



# ADBPL SERIES - ADBPL 0.80.3

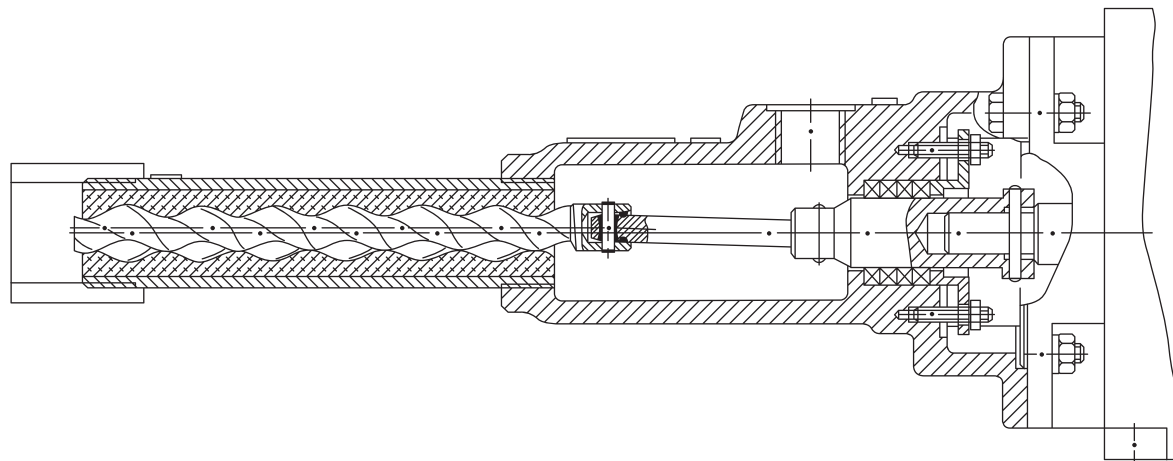
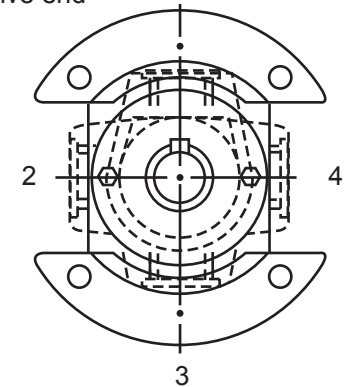
Progressive Cavity Pump

Dimensional Drawings



Possible port positions  
looking from drive end

1 = standard



BACK TO TOP

**3 Stage Pump**

Net weight

≈ lbs.

Inches

**6.2**

P: 847.640.7867 F: 847.640.7855  
2525 Clearbrook Drive Arlington Heights, IL 60005

[www.libertyprocess.com](http://www.libertyprocess.com)