



AMERICAN AP SERIES

Progressive Cavity Pump Parts
Exploded View

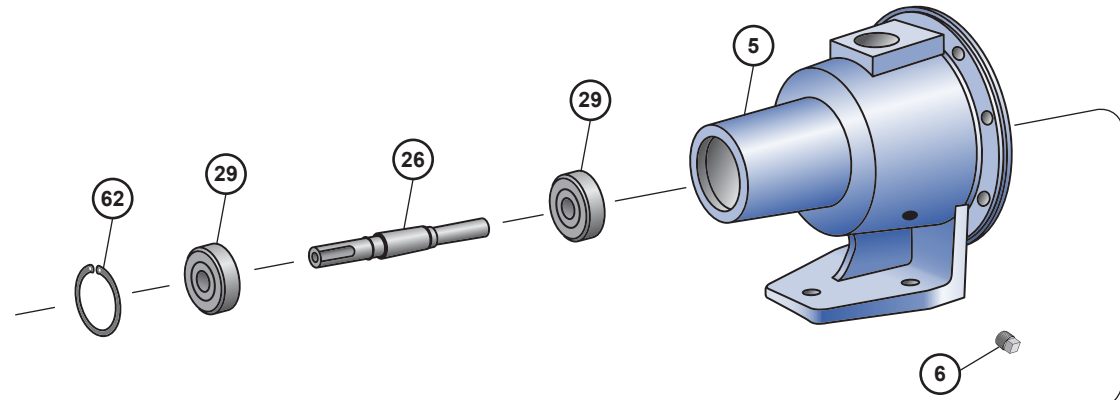
P: 847.640.7867 F: 847.640.7855
2525 Clearbrook Drive Arlington Heights, IL 60005

Page 1

www.libertyprocess.com

Pump Components

- 5. Bearing Housing
- 2. Suction Housing
- 21. Stator
- 22. Rotor
- 25. Threaded Flex Joint
- 24. Mechanical Seal
- 29. Bearing
- 26. Drive Shaft
- 62. Retaining Ring
- 6. Drain Plug



Optional Δ

- 17. Rotor Pin
- 18. Shaft Pin
- 25. Flex Joint (pinned)

Hardware

- 19. Pump Body Fasteners

