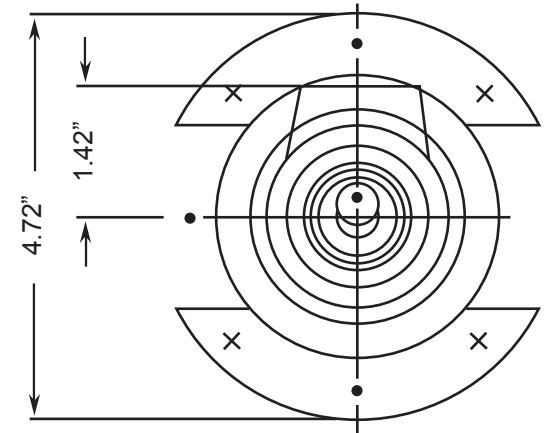
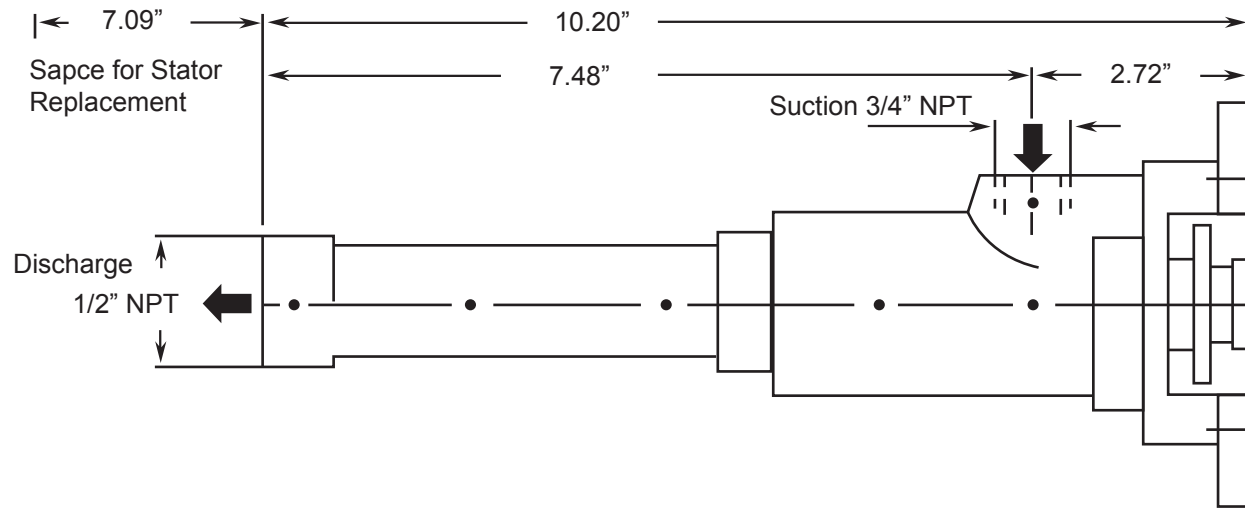




ADBPL SERIES - ADBPL 0.40.3

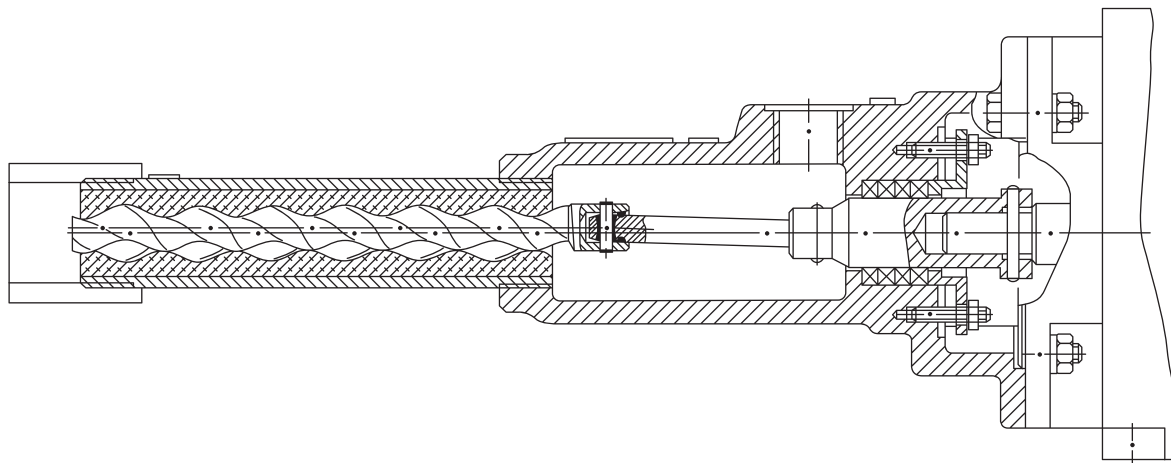
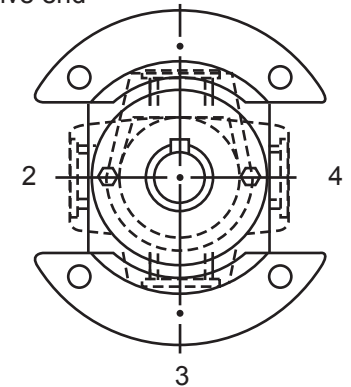
Progressive Cavity Pump

Dimensional Drawings



Possible port positions looking from drive end

1 = standard



Net weight

≈ lbs.

Inches

5.3

3 Stage Pump

P: 847.640.7867 F: 847.640.7855
2525 Clearbrook Drive Arlington Heights, IL 60005

www.libertyprocess.com